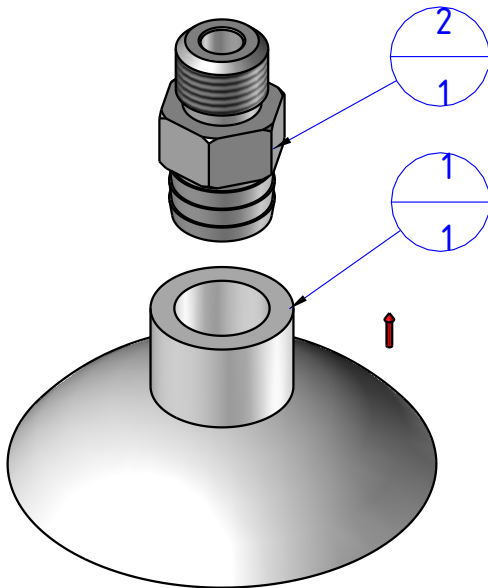
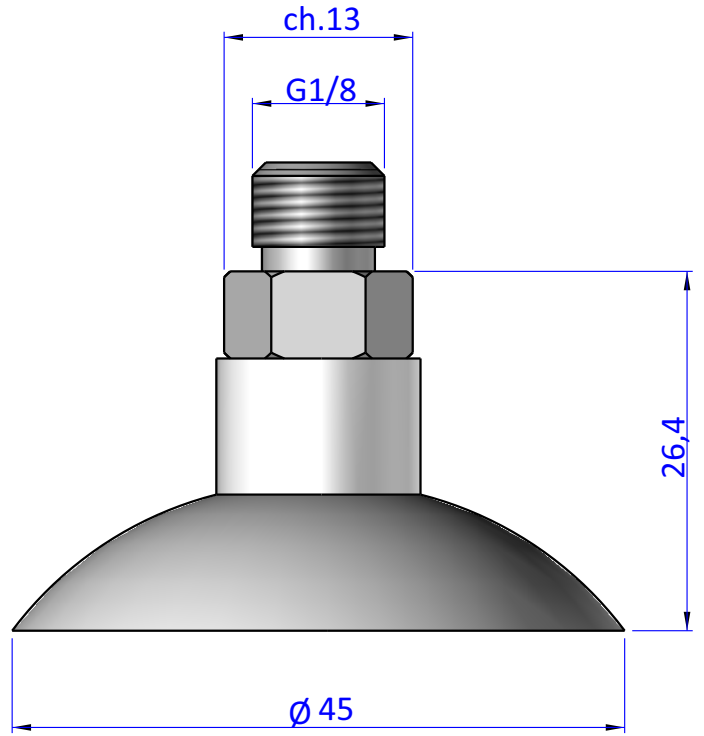


THE PROPERTY OF THE DRAWING IS ESTABLISHED BY LAW. IT IS FORBIDDEN TO PRODUCE OR SHOW IT TO THIRD PART. WITHOUT A WRITTEN AGREEMENT.

Item	Name	Q.ty
1	CA.08.03.010	1
2	CA.08.09.011	1



DESIGNED FROM		REVIEW
FPS Automation		A
DATE	WEIGHT	
04/11/2020	0,008kg	
CODE		
KIT.08.03.D45.11		

Format A4  
UNI 936-76

GENERAL TOLERANCE  
UNI - ISO 2768  
CLASSE f

DESCRIPTION  
KIT.08.03.D45.11